



**MOTOROLA**

**SEMICONDUCTORS**

P.O. BOX 20912 • PHOENIX, ARIZONA 85036

**10 WATT ZENER TRANSIENT SUPPRESSORS**

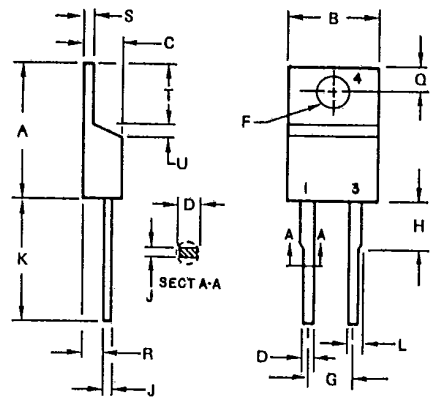
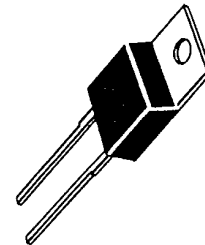
The MZT2970 Series is designed to protect voltage sensitive components from high voltage and high energy transients. They have low zener impedance and fast response time. The highly reliable TO-220 package features low thermal resistance and high heat dissipation. This series is ideally suited for use in communication systems, numerical controls, process controls, medical equipment, business machines, power supplies and numerous other industrial/consumer applications.

- Voltage Range of 6.8 to 200 Volts
- Silicon Oxide Passivated Junctions
- 600 Watts Peak Power Rating @ 1.0 ms
- TO-220 Package

**MZT2970  
THRU  
MZT3015**

**10 WATT  
ZENER TRANSIENT SUPPRESSORS**

**6.8 TO 200 V**



STYLE 1:  
PIN 1. CATHODE  
2. N/A  
3. ANODE  
4. CATHODE

DIM	MILLIMETERS		INCHES	
	MIN	MAX	MIN	MAX
A	15.11	15.75	0.595	0.620
B	9.65	10.29	0.380	0.405
C	4.06	4.82	0.160	0.190
D	0.64	0.89	0.025	0.035
F	3.61	3.73	0.142	0.147
G	4.83	5.33	0.190	0.210
H	2.79	3.30	0.110	0.130
J	0.36	0.56	0.014	0.022
K	12.70	14.27	0.500	0.562
L	1.14	1.27	0.045	0.050
Q	2.54	3.04	0.100	0.120
R	2.04	2.79	0.080	0.110
S	1.14	1.39	0.045	0.055
T	6.37	6.48	0.235	0.255
U	0.76	1.27	0.030	0.050

**CASE 221B-01  
TO-220AC**

**MAXIMUM RATINGS**

Rating	Symbol	Value	Unit
Steady State Power Dissipation @ T <sub>C</sub> = 120°C Derate above T <sub>C</sub> = 120°C	P <sub>D</sub>	10 333	Watts mW/°C
Operating and Storage Junction Temperature Range	T <sub>J</sub> , T <sub>stg</sub>	-65 to +150	°C

**MECHANICAL CHARACTERISTICS**

**CASE:** TO-220

**MAXIMUM LEAD TEMPERATURE FOR SOLDERING PURPOSES:** 230°C, 1/16" from case for 10 seconds

**FINISH:** Leads are corrosion resistant and readily solderable

**POLARITY:** Cathode to case

**THERMAL CHARACTERISTICS**

Thermal Resistance Junction to Case	R <sub>θJC</sub>	3.0	°C/W
Thermal Resistance Junction to Ambient	R <sub>θJA</sub>	80	°C/W

ELECTRICAL CHARACTERISTICS (At  $T_C = 30^\circ\text{C}$  unless otherwise specified,  $V_F = 1.5\text{ V Max}$  @  $I_F = 2.0\text{ Amps}$  for all types.)

Device (Note 1)	Nominal Zener Voltage $V_Z$ @ $I_{ZT}$ Volts (Notes 1, 2, 3)	Test Current $I_{ZT}$ mA	Max Zener Impedance (Note 4)			Max DC Zener Current $I_{ZM}$ mA (Note 5)	Max. Reverse Current (Note 6)		
			$Z_{ZT}$ @ $I_{ZT}$ Ohms	$Z_{ZK}$ @ $I_{ZK}$ Ohms	$I_{ZK}$ mA		$I_R$ Max ( $\mu\text{A}$ )	$V_{R1}$ 5%	$V_{R2}$ 10%
MZT2970	6.8	370	1.2	500	1.0	1,320	150	5.2	4.9
MZT2971	7.5	335	1.3	250	1.0	1,180	75	5.7	5.4
MZT2972	8.2	305	1.5	250	1.0	1,040	50	6.2	5.9
MZT2973	9.1	275	2.0	250	1.0	960	25	6.9	6.6
MZT2974	10	250	3	250	1.0	860	10	7.6	7.2
MZT2975	11	230	3	250	1.0	780	5	8.4	8.0
MZT2976	12	210	3	250	1.0	720	5	9.1	8.6
MZT2977	13	190	3	250	1.0	660	5	9.9	9.4
MZT2978	14	180	3	250	1.0	600	5	10.6	10.1
MZT2979	15	170	3	250	1.0	560	5	11.4	10.8
MZT2980	16	155	4	250	1.0	530	5	12.2	11.5
MZT2982	18	140	4	250	1.0	460	5	13.7	13.0
MZT2983	19	130	4	250	1.0	440	5	14.4	13.7
MZT2984	20	125	4	250	1.0	420	5	15.2	14.4
MZT2985	22	115	5	250	1.0	380	5	16.7	15.8
MZT2986	24	105	5	250	1.0	350	5	18.2	17.3
MZT2988	27	95	7	250	1.0	300	5	20.6	19.4
MZT2989	30	85	8	300	1.0	280	5	22.8	21.6
MZT2990	33	75	9	300	1.0	260	5	25.1	23.8
MZT2991	36	70	10	300	1.0	230	5	27.4	25.9
MZT2992	39	65	11	300	1.0	210	5	29.7	28.1
MZT2993	43	60	12	400	1.0	195	5	32.7	31.0
MZT2995	47	55	14	400	1.0	175	5	35.8	33.8
MZT2996	50	50	15	500	1.0	165	5	38.0	36.0
MZT2997	51	50	15	500	1.0	163	5	38.8	36.7
MZT2998	52	50	15	500	1.0	160	5	39.5	37.4
MZT2999	56	45	16	500	1.0	150	5	42.6	40.3
MZT3000	62	40	17	600	1.0	130	5	47.1	44.6
MZT3001	68	37	18	600	1.0	120	5	51.7	49.0
MZT3002	75	33	22	600	1.0	110	5	56.0	54.0
MZT3003	82	30	25	700	1.0	100	5	62.2	59.0
MZT3004	91	28	35	800	1.0	85	5	69.2	65.5
MZT3005	100	25	40	900	1.0	80	5	76.0	72.0
MZT3006	105	25	45	1,000	1.0	75	5	79.8	75.6
MZT3007	110	23	55	1,100	1.0	72	5	83.6	79.2
MZT3008	120	20	75	1,200	1.0	67	5	91.2	86.4
MZT3009	130	19	100	1,300	1.0	62	5	98.8	93.6
MZT3010	140	18	125	1,400	1.0	58	5	106.4	100.8
MZT3011	150	17	175	1,500	1.0	54	5	114.0	108.0
MZT3012	160	16	200	1,600	1.0	50	5	121.6	115.2
MZT3014	180	14	260	1,850	1.0	45	5	136.8	129.6
MZT3015	200	12	300	2,000	1.0	40	5	152.0	144.0

**NOTE 1. Tolerance:**

The type numbers shown indicate a tolerance of  $\pm 20\%$  with guaranteed limits on only  $V_Z$ ,  $I_R$  and  $V_F$  as shown in the electrical characteristics table. Units with guaranteed limits on all six parameters are indicated by suffix "A" for  $\pm 10\%$  tolerance and suffix "B" for  $\pm 5.0\%$  units.

**NOTE 2. Special Selections Available Include:**

- Nominal zener voltages between those shown.
- Two or more units for series connection with specified tolerance on total voltage. Series matched sets make zener voltages in excess of 200 volts possible as well as providing lower temperature coefficients, lower dynamic impedance and greater power handling ability.
- Nominal voltages at non-standard test currents.

**NOTE 3. Zener Voltage ( $V_Z$ ) Measurement:**

Nominal zener voltage is measured after the test current  $I_{ZT}$  has been applied for 1 ms while maintaining the case temperature at  $30^\circ\text{C} \pm 1^\circ\text{C}$ .

**NOTE 4. Zener Impedance ( $Z_Z$ ) Derivation:**

$Z_{ZT}$  and  $Z_{ZK}$  are measured by dividing the ac voltage drop across the device by the ac current applied. The specified limits are for  $I_Z(\text{ac}) = 0.1 \times I_Z(\text{dc})$  with the ac frequency = 1.0 kHz.

**NOTE 5. Maximum Zener Current Ratings ( $I_{ZM}$ ):**

Maximum zener current ratings are based on maximum voltage of a 20% tolerance unit. For closer tolerance units (10% or 5%) or units where the actual zener voltage ( $V_Z$ ) is known at the operating point, the maximum zener current may be increased and is limited by the derating curve.

**NOTE 6. Reverse Leakage Current  $I_R$ :**

Reverse leakage currents are guaranteed only for 5% and 10% 10 Watt silicon zener diodes and are measured at  $V_R$  as shown on the table.



APPLICATION NOTES

SPECIAL DEVICES

Matched sets and back-to-back configurations for bi-directional applications can be ordered upon special request. Contact your nearest Motorola representative.

RESPONSE TIME

In most applications, the transient suppressor device is placed in parallel with the equipment or component to be protected. In this situation, there is a time delay associated with the capacitance of the device and an overshoot condition associated with the inductance of the device and the inductance of the connection method.

The capacitive effect is of minor importance in the parallel protection scheme because it only produces a time delay in the transition from the operating voltage to the clamp voltage as shown in Figure A.

The inductive effects in the device are due to actual turn-on time (time required for the device to go from zero current to full current) and lead inductance. This inductive effect produces an overshoot in the voltage across the equipment or component being protected as shown in Figure B. Minimizing this overshoot is very important in the application, since the main purpose for adding a transient suppressor is to clamp voltage spikes. The MZT2970 series has very good response time, typically <1.0 ns and negligible inductance. However, external inductive effects could produce unacceptable overshoot. Proper circuit layout, minimum lead lengths and placing the suppressor device as close as possible to the equipment or components to be protected will minimize this overshoot.

Some input impedance represented by  $Z_{in}$  is essential to prevent overstress of the protection device. This impedance should be as high as possible, without restricting the circuit operation.

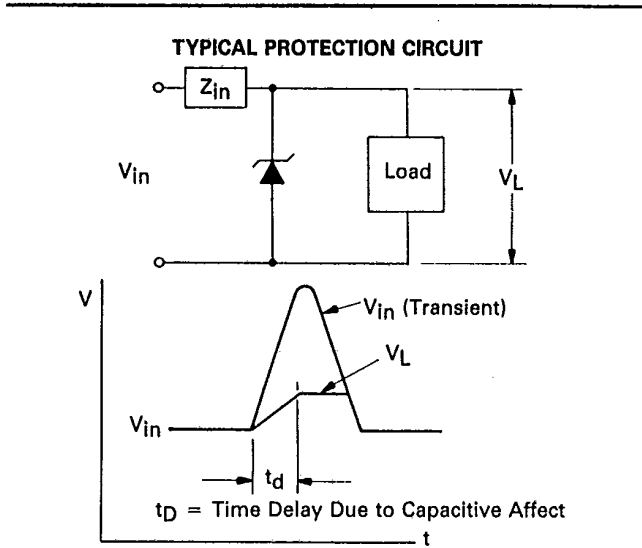


FIGURE A

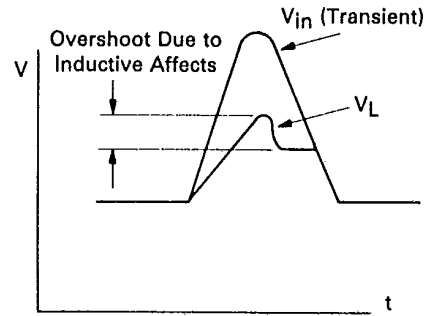


FIGURE B

FIGURE 1 — PULSE POWER RATING CURVE

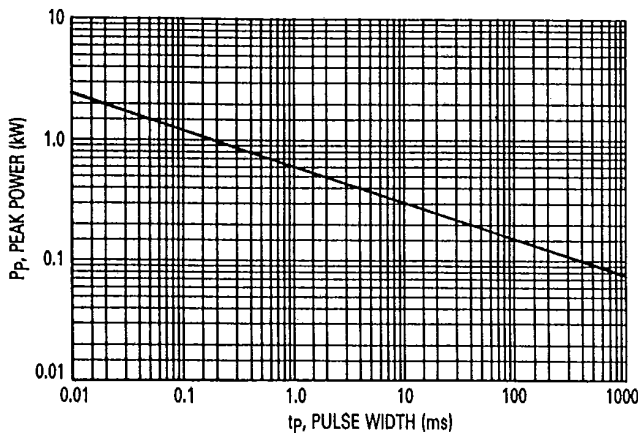
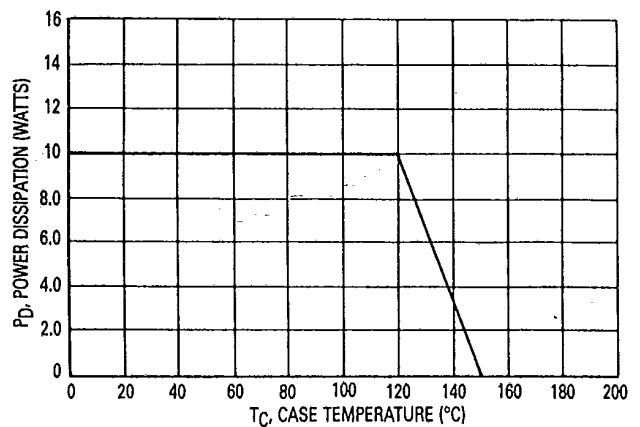


FIGURE 2 — POWER DERATING CURVE

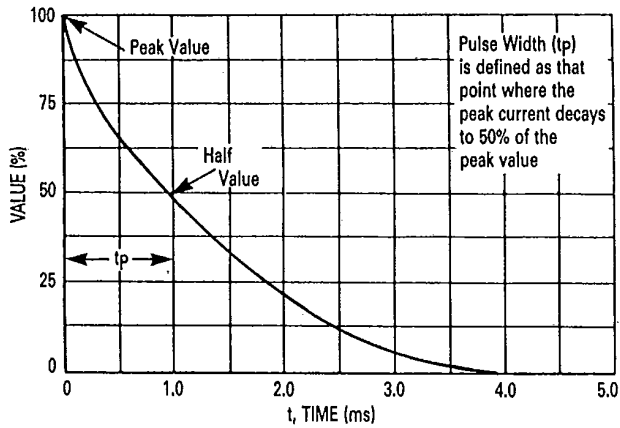


**MZT2970 THRU MZT3015**

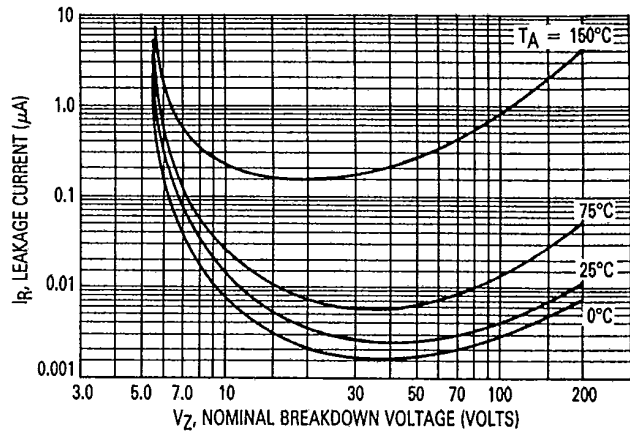
59 DE

6367255 0061859 6

**FIGURE 3 — PULSE WAVEFORM**

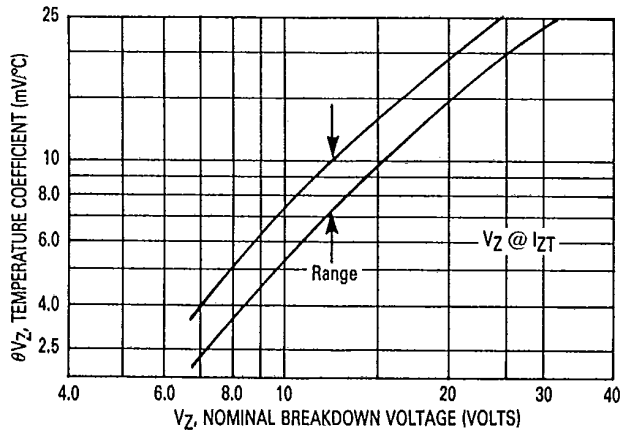


**FIGURE 4 — TYPICAL REVERSE LEAKAGE CURRENT**

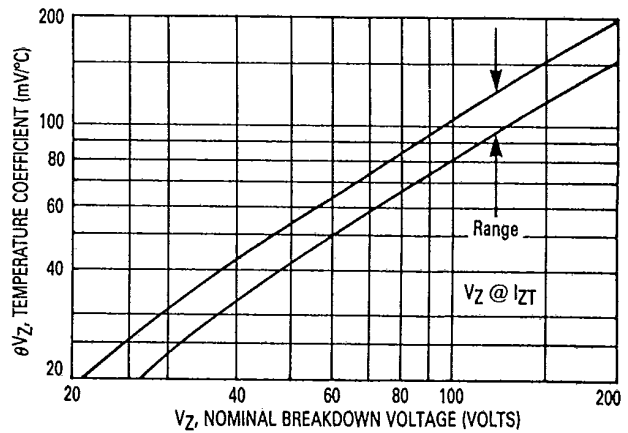


**FIGURE 5 — TEMPERATURE COEFFICIENTS**  
(90% OF THE UNITS ARE IN THE RANGES INDICATED.)

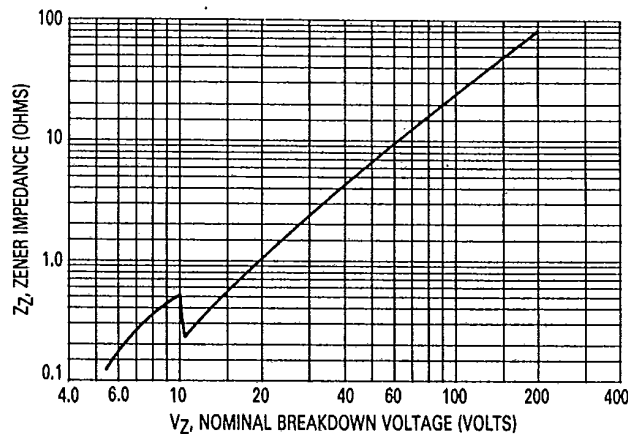
**A — RANGE FOR UNITS 6.8-24 VOLTS**




**B — RANGE FOR UNITS 24-200 VOLTS**



**FIGURE 6 — TYPICAL ZENER IMPEDANCE AT TEST CURRENT**



Motorola reserves the right to make changes without further notice to any products herein to improve reliability, function or design. Motorola does not assume any liability arising out of the application or use of any product or circuit described herein; neither does it convey any license under its patent rights nor the rights of others. Motorola and  are registered trademarks of Motorola, Inc. Motorola, Inc. is an Equal Employment Opportunity/Affirmative Action Employer.



**MOTOROLA Semiconductor Products Inc.**

BOX 20912 • PHOENIX, ARIZONA 85036 • A SUBSIDIARY OF MOTOROLA INC.